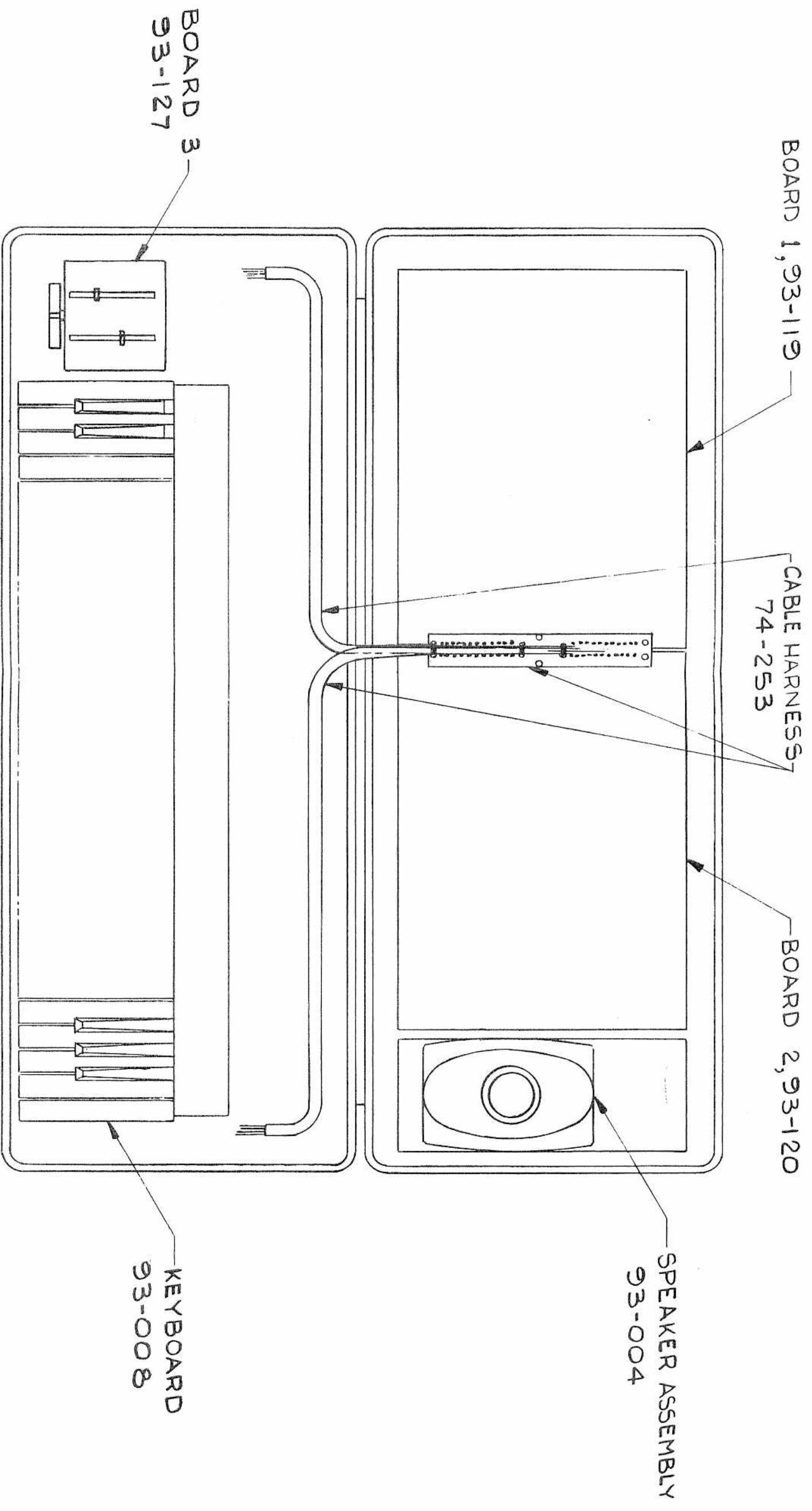


ITEM	PART NUMBER	DESCRIPTION	MATERIAL
93-119	BD 1	IC2 THRU IC5, Q1	
93-120	BD 2	IC6 THRU IC9, Q2	
93-127	BD 3	IC10, Q5	
		IC11, Q6, Q7, Q8	
		IC12 THRU IC17	
		IC18, IC9	
		IC23, 24, 25	
		Q5, Q6, Q7	
		IC27, IC29	
		IC14, Q2	
		IC21, Q3, Q4, Q16	
		IC28	
		IC3	
		IC7	
		IC1	
		IC10, Q5	
		IC11, Q6, Q7, Q8	
		IC127	

93-119 BD 1  
 93-120 BD 2  
 93-127 BD 3  
 KEY

WILLIAMSVILLE, NEW YORK  
**MOOG**  
 SONIC SIX  
 BLOCK DIAGRAM  
 08-018  
 SCALE: \_\_\_\_\_ WT: \_\_\_\_\_ SHEET: \_\_\_\_\_

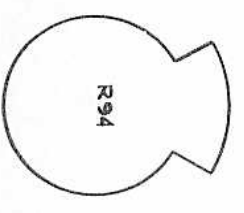
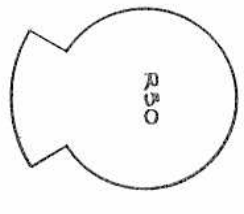
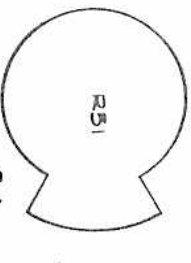
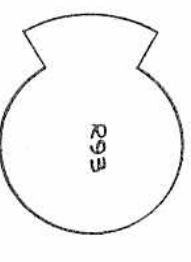
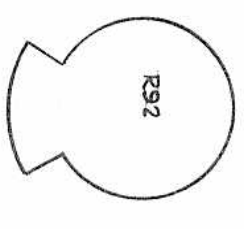
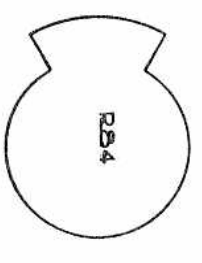
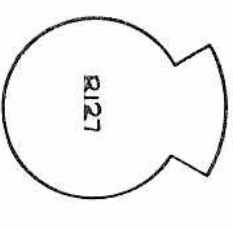
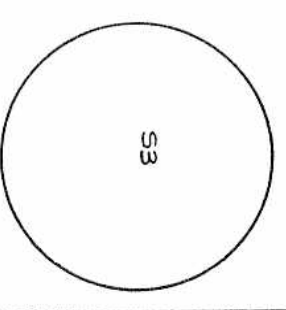
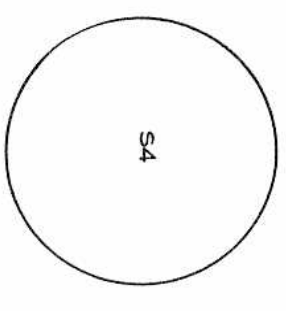
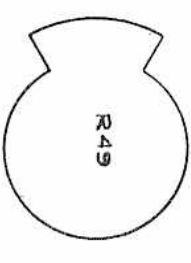
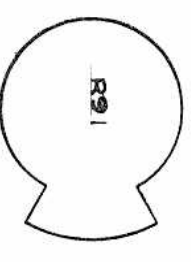
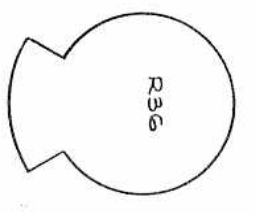
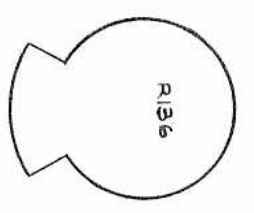


DRAWN BY A. S. MULLIN 10-15-73		MUSIC INC		WILLIAMSVILLE, NEW YORK	
CHECK RJP 10/73		SUB-ASSEMBLY LOCATIONS SONIC SIX			
GRP ENGR.					
REVIEW QC.					
SUPERVISOR		SIZE	CODE IDENT	WT.	SHEET
NEXT ASSY	MODEL NO.	SONIC 6			
APPLICATION		SCALE			OF

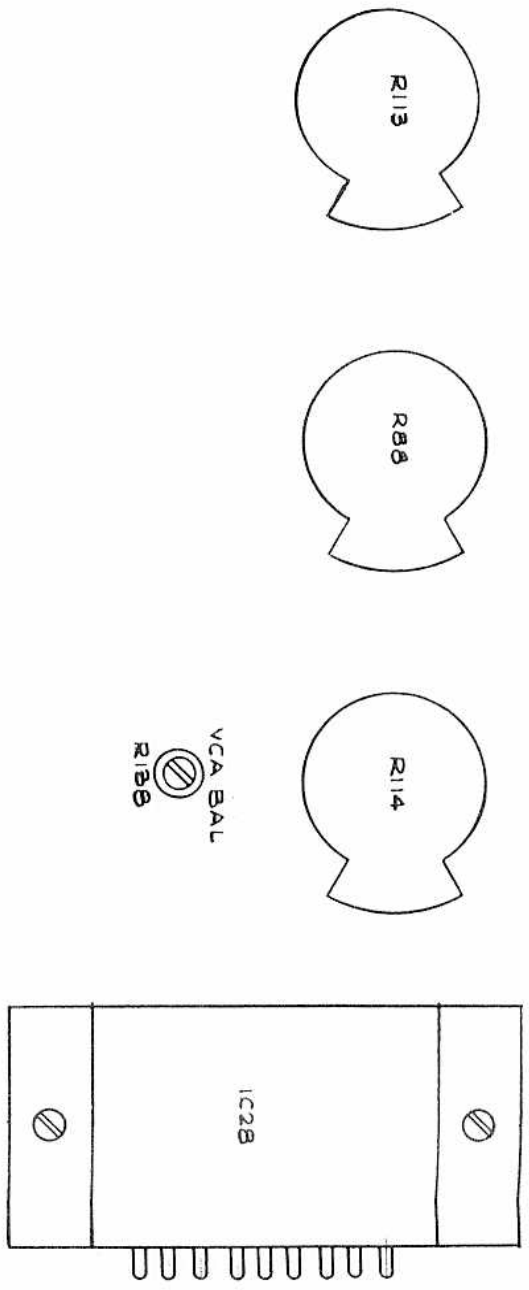
4  
5  
6  
7  
8  
9

13  
14  
15  
A

3  
6  
7  
8  
9  
10  
11  
B



ITEM	PART NUMBER	DESCRIPTION	MATERIAL
		ADJUSTMENT LOCATION	
		SONIC SIX BOARD 1	
		SIZE CODE IDENT	93-119
DRAWN BY: BUMP 01/73 CHECKED BY: JF 10/73 GRP ENGR: _____ REVIEW OC: _____ SUPERVISOR: _____ NEXT ASSY MODEL NO: _____			

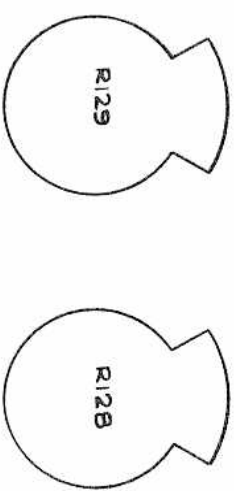


REGEN  
R171

REACT  
R174

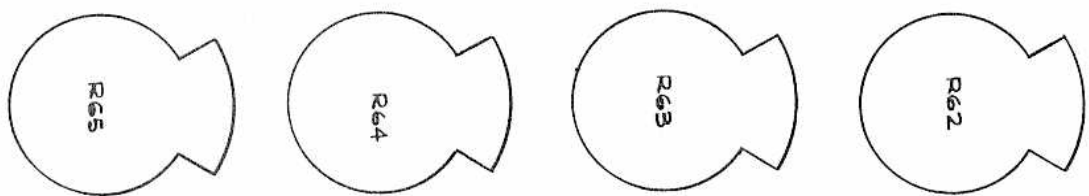
SCALE  
R179

PITCH  
R160



SIG. BAL  
R339

MOD BAL  
R413



NOISE  
R255

KB  
R8  
FET BAL  
R225

- 1
- 2
- 3
- 4
- 5
- 6
- 7
- 8
- 9
- 10
- 11
- 12
- 13
- 14
- 15

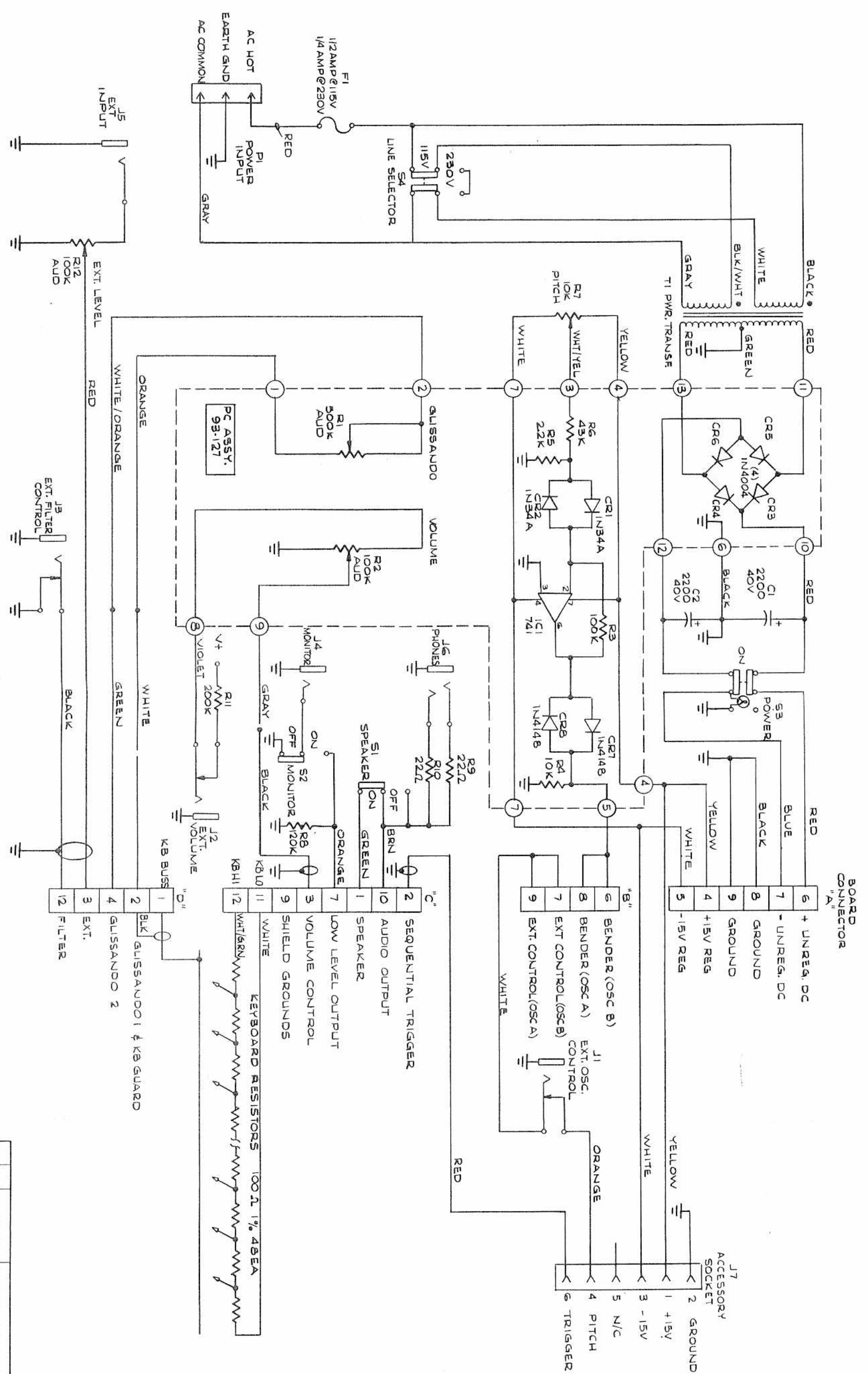
- 1
- 2
- 3
- 4
- 5

- 10
- 11
- 12
- 13
- 14
- 15

ITEM	PART NUMBER	DESCRIPTION	MATERIAL
	DRAWN BY JAMP 10/73	ADJUSTMENT LOCATIO	
	CHECK RJC 10/73	SONIC SIX BOARD 2	
	GRP ENGR		
	REVIEW GC		
	SUPERVISOR		
	NEXT ASSY		
	MODEL NO.		

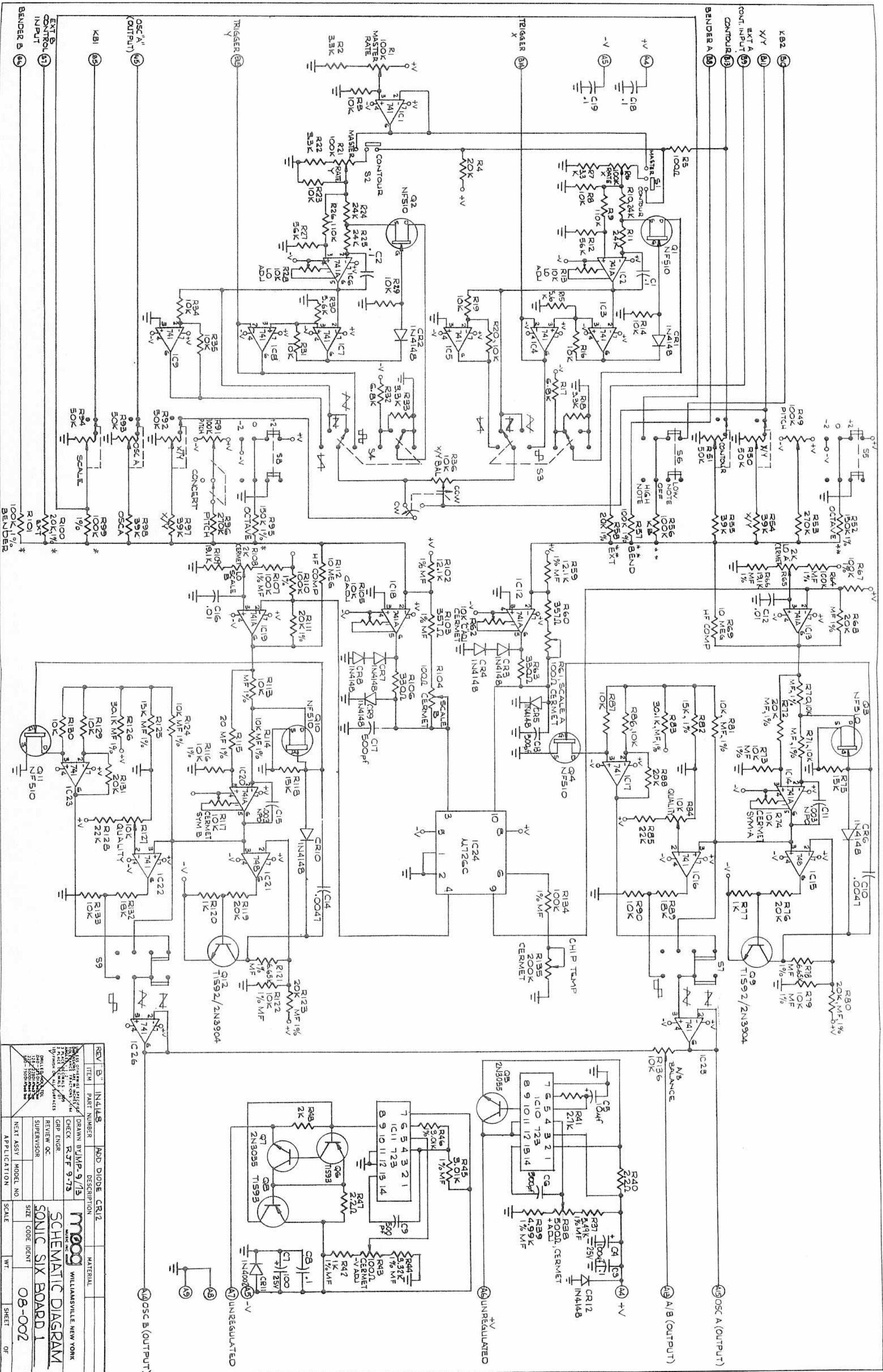
MEADY WILLIAMSVILLE, NEW Y  
 93-120





ITEM	PART NUMBER	DESCRIPTION	MATERIAL
1	DRAWN BY JUMP 10/73		
2	CHECK RJP 10/73		
3	GRP ENGR		
4	REVIEW QC		
5	SUPERVISOR		
6	NEXT ASSY MODEL NO		
7	SCALE		
8	SHEET		

WILLIAMSVILLE, NEW YORK  
 SONIC SIX  
 SCHEMATIC (MAIN FRA)  
 08-010

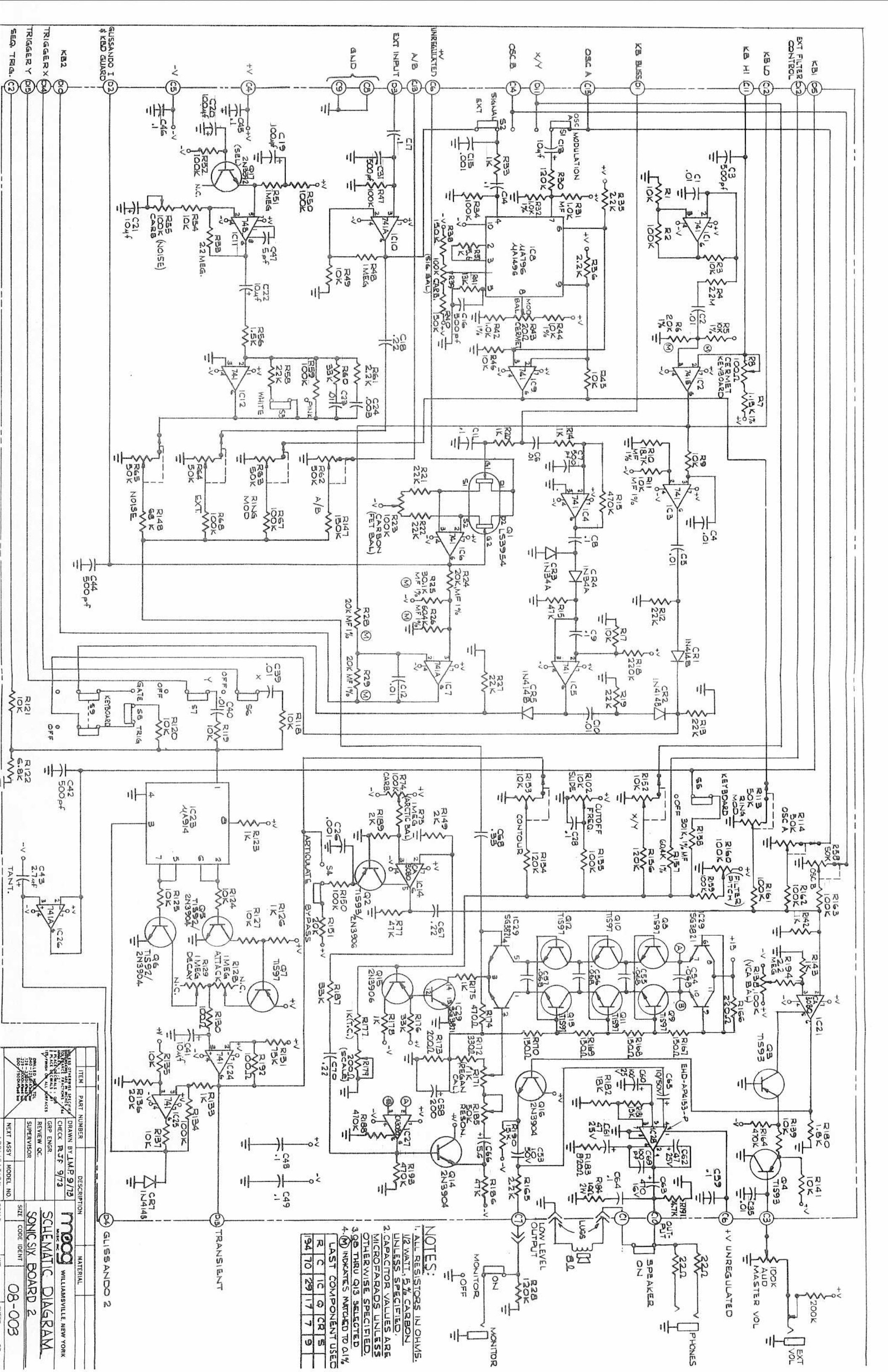


REV	B"	ADD DIODE	CR12
1			
2			
3			
4			
5			
6			
7			
8			
9			
10			
11			
12			
13			
14			
15			
16			
17			
18			
19			
20			
21			
22			
23			
24			
25			
26			
27			
28			
29			
30			
31			
32			
33			
34			
35			
36			
37			
38			
39			
40			
41			
42			
43			
44			
45			
46			
47			
48			
49			
50			
51			
52			
53			
54			
55			
56			
57			
58			
59			
60			
61			
62			
63			
64			
65			
66			
67			
68			
69			
70			
71			
72			
73			
74			
75			
76			
77			
78			
79			
80			
81			
82			
83			
84			
85			
86			
87			
88			
89			
90			
91			
92			
93			
94			
95			
96			
97			
98			
99			
100			

DRANN BYJMP-9/73  
 CHECK R37 9-73  
 REVIEW OC  
 SUPERVISOR  
 MODEL NO  
 SCALE  
 WT  
 SHEET OF

SCHEMATIC DIAGRAM  
 SONIC SIX BOARD 1  
 08-002





**NOTES:**  
 1. ALL RESISTORS IN OHMS.  
 1/2 WATT, 5% CARBON UNLESS SPECIFIED.  
 2. CAPACITOR VALUES ARE MICROFARADS UNLESS OTHERWISE SPECIFIED.  
 3. Q8 THRU Q13 SELECTED  
 4. (M) INDICATES MARCHED TO 0.1%  
 LAST COMPONENT USED

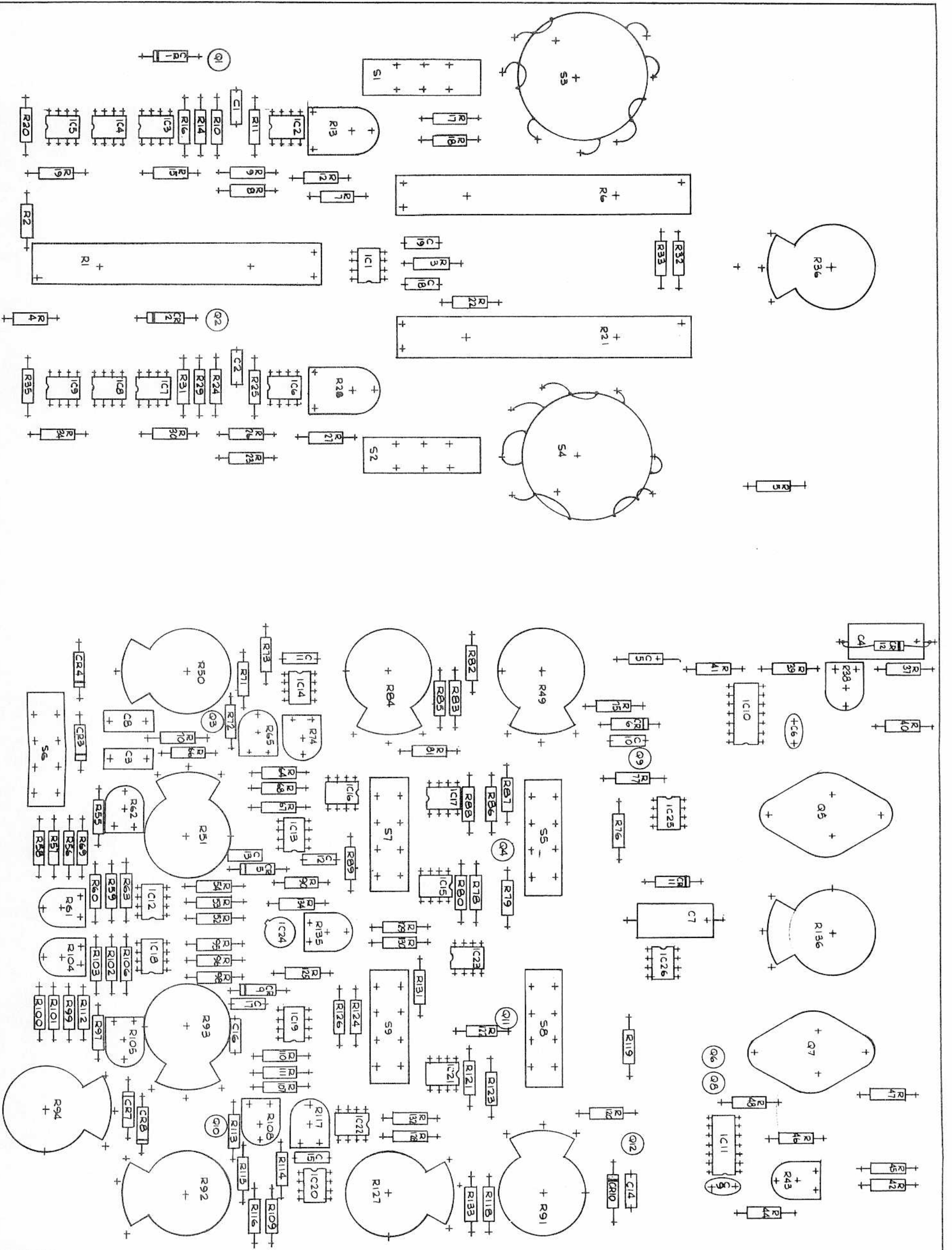
R	C	IC	Q	CR	S
194	70	29	17	7	9

**SONNIC SIX BOARD 2**

DRAWN BY: J.M.P. 9/73  
 CHECK: R.J.F. 9/73  
 REVIEW: OC  
 SUPERVISOR

ITEM PART NUMBER DESCRIPTION MATERIAL

08-003



- 4
- 5
- 6
- 7
- 8
- 9

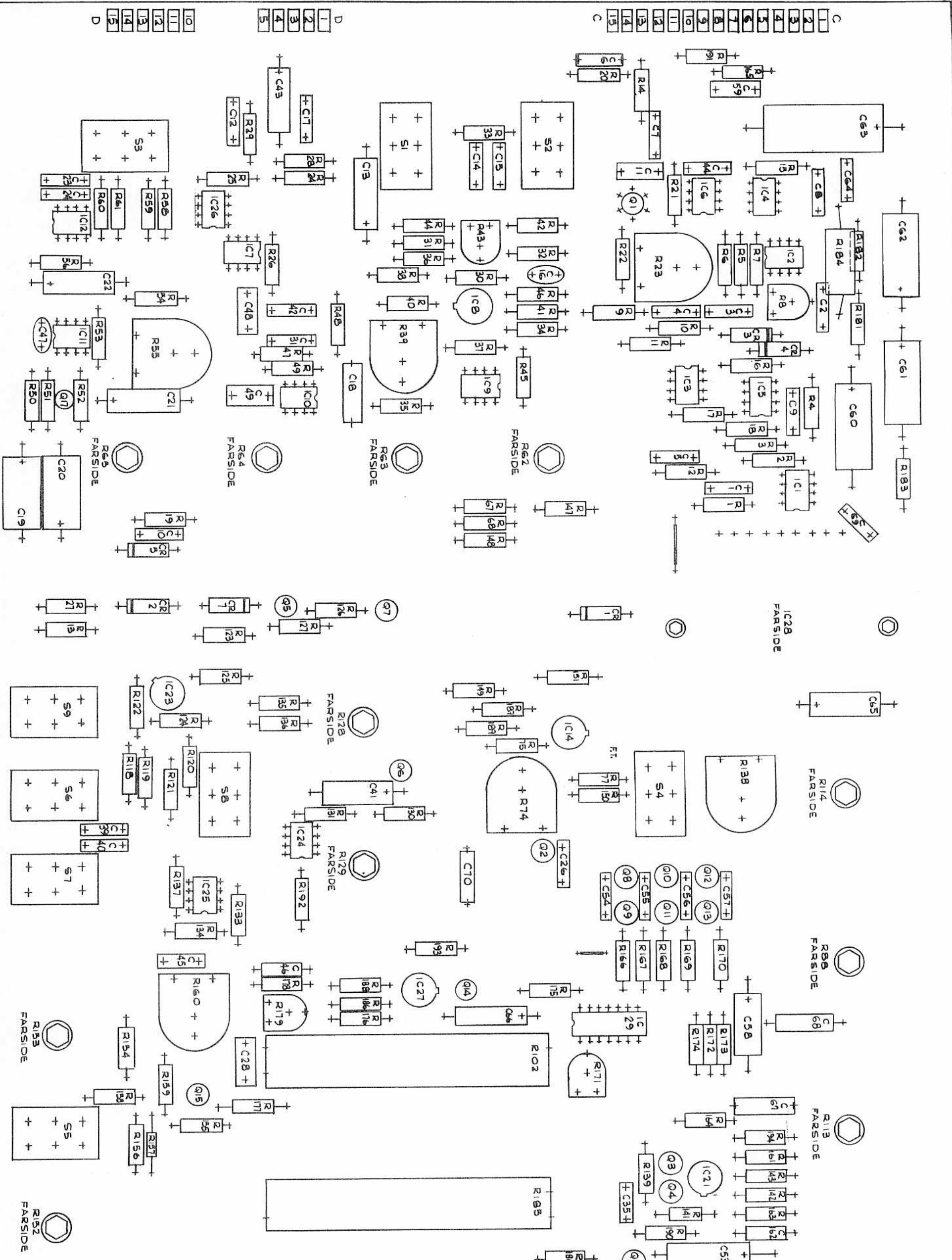
- 13
- 14
- 15

- 3
- 6
- 7
- 8
- 9
- 10
- 11
- 13
- 14
- 15

DRAWN BY JMR-9/73  
 CHECK RUF 9-73  
 GRP ENGR.  
 REVIEW QC  
 SUPERVISOR  
 NEXT ASSY MODEL NO.  
 SIZE CODE IDENT  
 APPLICATION  
 SCALE  
 SHEET NO.

**moog**  
 WILLIAMSVILLE, NEW YORK  
**SONIC SIX BOARD I**  
**COMPONENT LOCATION**  
 93-119

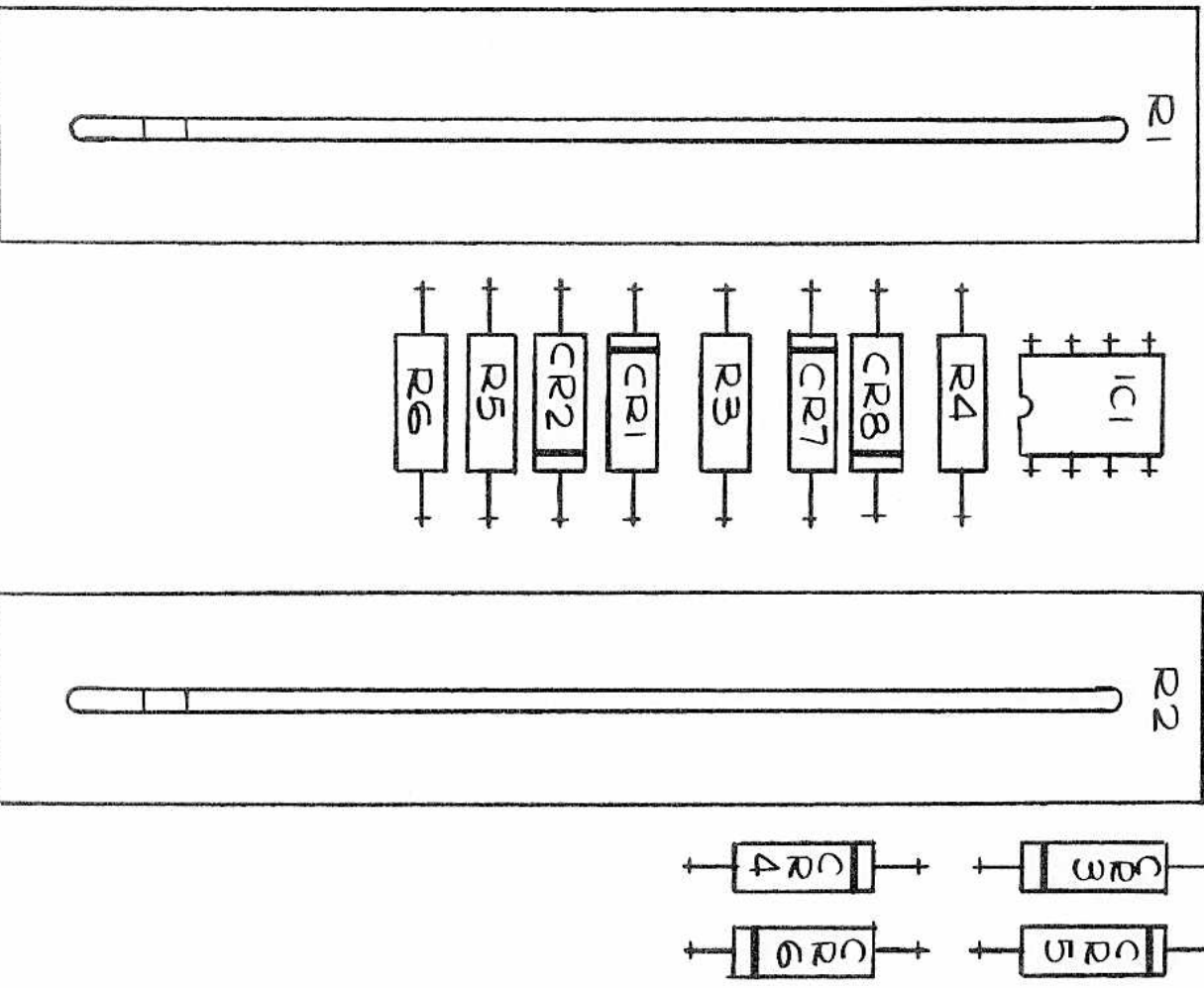




DRAWN BY PRESLEY/18  
 CHECK RDT 9-73  
 GRP ENGR  
 REVIEW OC  
 SUPERVISOR  
 NEXT ASSY MODEL NO.  
 APPLICATION  
 SCALE  
 WT.  
 SHEET OF


**meag**  
 WILLIAMSVILLE, NEW YORK  
**SONIC SIX BOARD 2**  
**COMPONENT LOCATOR**  
 SIZE CODE IDENT 93-120

- 1
- 2
- 3
- 4
- 5
- 6
- 7
- 8
- 9
- 10
- 11
- 12
- 13



UNLESS OTHERWISE SPECIFIED  
 DIMENSIONS ARE IN INCHES  
 TOLERANCE FRACTIONS : 1/64  
 ANGLES : 1/2°  
 3 PLACE DECIMALS : .005  
 2 PLACE DECIMALS : .01  
 125/FINISH ON ALL SURFACES

DRILLED HOLE TOL  
 .040 - .125 DIA ± .002  
 .126 - .228 DIA ± .003  
 .229 - .500 DIA ± .004  
 .500 - .750 DIA ± .005

ITEM	PART NUMBER	DESCRIPTION	MATERIAL
		DRAWN BY JMP 10/73	 WILLIAMSVILLE, NEW YORK COMPONENT LOCATION SONIC SIX BOARD 3 SIZE CODE IDENT 93-127
		CHECK RJS 10/73	
		GRP ENGR.	
		REVIEW QC.	
		SUPERVISOR	
		NEXT ASSY	MODEL NO.
		APPLICATION	SCALE
			WT.
			SHEET
			OF